

Rotary clotheslines

Selection Guide

Product Specification

	Line space (m)	Sheet size	Head diameter (m)	Space required (m)
Hills Hoist 8 line	58	King	4.0	5.0
Hills Hoist 7 line	47	Queen	3.6	4.6
Hills Hoist 6 line	36	Double	3.0	4.0
Everyday 47	47	Queen	3.6	4.6
Everyday 37	37	Double	3.2	4.2
Heritage Hoist 5 line	49	King	4.5	5.5
Heritage Hoist 4 line	40	King	4.0	5.0
Supa A5 Hoist	49	King	4.5	5.5
Supa A4 Hoist	40	King	4.0	5.0

Product Colour Chart

Forest Glade

Ocean Breeze

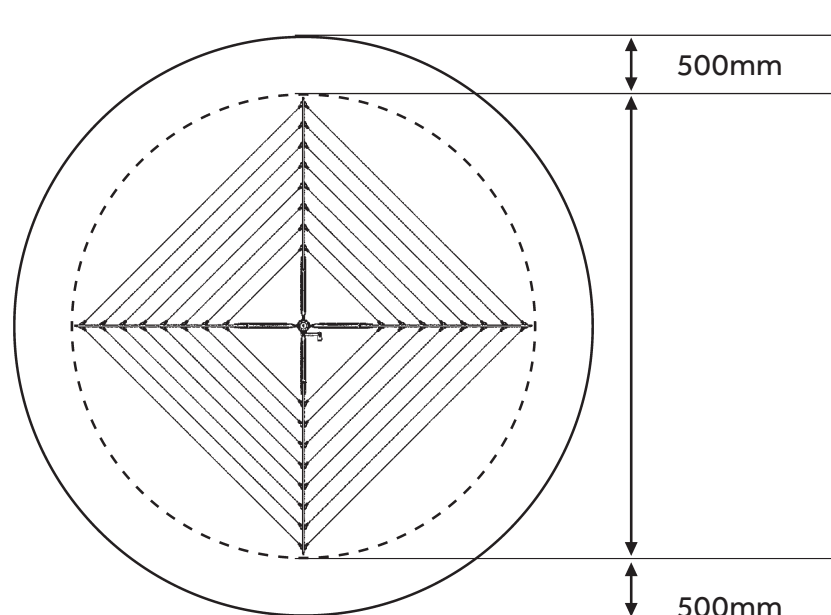
Norfolk Pine

Galvanised

Installation Options

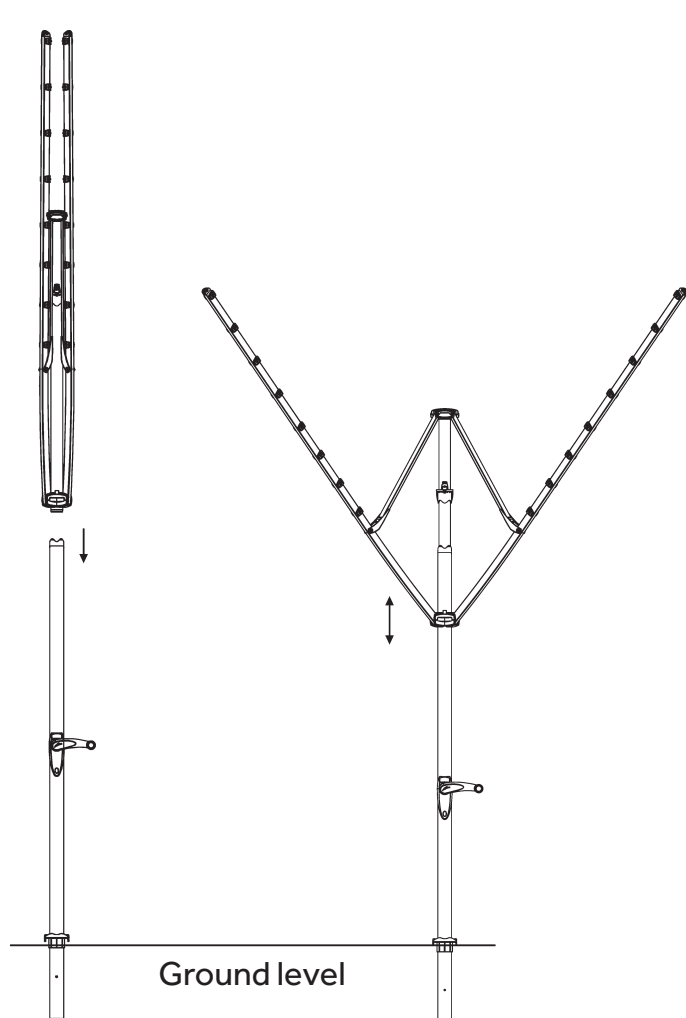
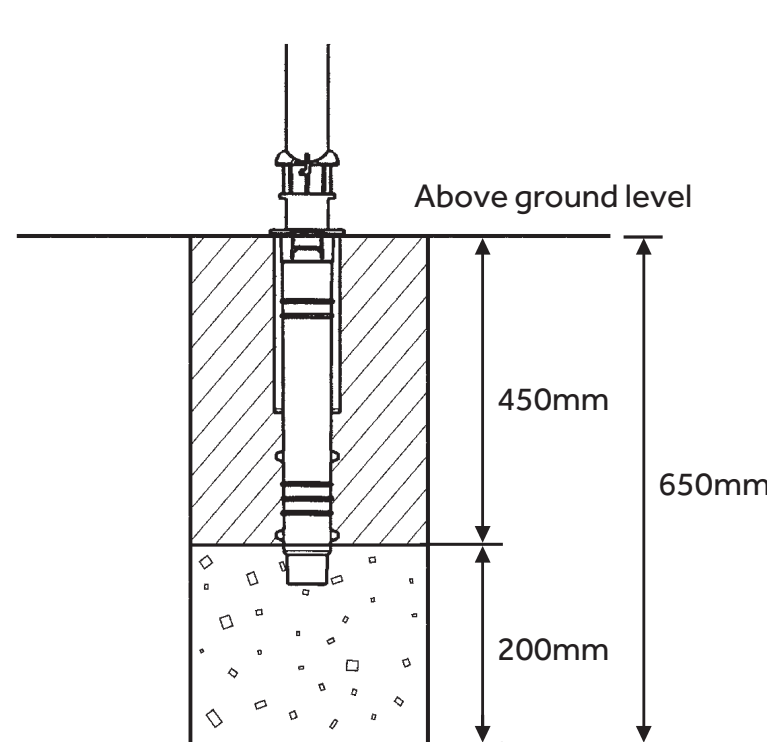
Positioning

- Select a suitable location
- Allow 500mm of clearance around rotary



Installation

- Ground socket is concreted into the ground
- Hoist is removable from ground socket



Assembly

- Place the main standard in the ground socket
- Place the head assembly into the main standard

